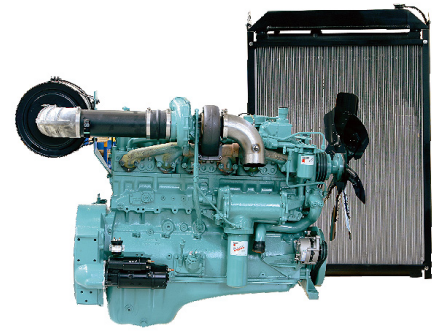


# NT855-G6



## > Specification sheet

Our energy working for you.™



### Description

The Cummins NT-Series engines have been service proven through millions of hours of operation in some of the world's most demanding applications. The 14 litre, six-cylinder NT855 has been engineered to handle higher injection pressures, with redesigned overhead arrangement, pistons, crankshaft and camshaft. A gear train with high contact ratio spur gears also eliminates unwanted thrust loads and reduces noise.



This engine has been built to comply with CE certification.



This engine has been designed in facilities certified to ISO9001 and manufactured in facilities certified to ISO9001 or ISO9002.

### Features

**Cylinder Block** - Alloy cast iron with removable wet liners.

**Cylinder Heads** - Alloy cast iron. Each head serves two cylinders. Drilled fuel supply and return lines. Valve seat inserts are replaceable and corrosion resistant. Valve and crosshead guides are replaceable.

**Cylinder Liners** - Replaceable wet liners dissipate heat faster than dry liners and are easily replaced without reboring the block.

**Fuel System** - Cummins PT™ self adjusting system. Integral dual flyweight governor provides overspeed protection independent of main governor. Camshaft actuated fuel injectors give accurate metering and timing. Dual spin-on fuel filters.

**Coolpac Integrated Design** - products are supplied complete with cooling package and air cleaner kit for a complete power package. Each component has been specifically developed and rigorously tested for G-Drive products, ensuring high performance, durability and reliability.

**Service and Support** - G-Drive products are backed by an uncompromising level of technical support and after sales service, delivered through a world class service network.

### 1500 rpm (50 Hz) Ratings

Gross Engine Output			Net Engine Output			Typical Generator Set Output					
Standby	Prime	Base	Standby	Prime	Base	Standby (ESP)		Prime (PRP)		Base (COP)	
kWm/BHP			kWm/BHP			kWe	kVA	kWe	kVA	kWe	kVA
310/416	280/375	231/310	310/415	280/375	231/309	280	350	256	320	207	259

### 1800 rpm (60 Hz) Ratings

Gross Engine Output			Net Engine Output			Typical Generator Set Output					
Standby	Prime	Base	Standby	Prime	Base	Standby (ESP)		Prime (PRP)		Base (COP)	
kWm/BHP			kWm/BHP			kWe	kVA	kWe	kVA	kWe	kVA
325/436	295/396	254/341	311/417	281/377	240/322	285	356	260	325	222	277

Our energy working for you.™

[www.cumminsdrive.com](http://www.cumminsdrive.com)

©2007 | Cummins G-Drive Engines | Specifications subject to change without notice | Cummins are registered trademarks of Cummins Inc. (01/08) (GDSS125-RevA)



## General Engine Data

Type	4 cycle, in-line, Turbo Charged
Bore mm	140 mm (5.5 in.)
Stroke mm	152 mm (6.0 in.)
Displacement Litre	14.0 litre (855 in. <sup>3</sup> )
Cylinder Block	Cast iron, 6 cylinder
Battery Charging Alternator	55 amps
Starting Voltage	24 volt, negative ground
Fuel System	Direct injection
Fuel Filter	Spin-on fuel filters with water separator
Lube Oil Filter Type(s)	Spin-on full flow filter
Lube Oil Capacity (l)	38.6
Flywheel Dimensions	1/14

## Coolpac Performance Data

Cooling System Design	Jacket Water
Coolant Ratio	50% ethylene glycol; 50% water
Coolant Capacity (l)	45.0
Limiting Ambient Temp.**	58.0
Fan Power	11.6
Cooling system air flow (m <sup>3</sup> /s)**	7.6
Air Cleaner Type	Dry replaceable element with restriction indicator

\*\* @ 13 mm H<sub>2</sub>O

## Weights & Dimension

Length	Width	Height	Weight (dry)
mm	mm	mm	kg
2055	990	1535	1410

## Fuel Consumption 1500 (50 Hz)

%	kWm	BHP	L/ph	US gal/ph
<b>Standby Power</b>				
100	310	416	76	19.8
<b>Prime Power</b>				
100	280	375	69	17.9
75	210	282	52	13.5
50	140	188	36	9.4
25	70	94	20	5.2
<b>Continuous Power</b>				
100	231	310	57	14.8

## Cummins G-Drive Engines

### Asia Pacific

10 Toh Guan Road  
#07-01  
TT International Tradepark  
Singapore 608838  
Phone 65 6417 2388  
Fax 65 6417 2399

### Europe, CIS, Middle

**East and Africa**  
Manston Park Columbus Ave  
Manston Ramsgate  
Kent CT12 5BF. UK  
Phone 44 1843 255000  
Fax 44 1843 255902

### Latin America

Rua Jati, 310, Cumbica  
Guarulhos, SP 07180-900  
Brazil  
Phone 55 11 2186 4552  
Fax 55 11 2186 4729

### Mexico

Cummins S. de R.L. de C.V.  
Eje 122 No. 200 Zona Industrial  
San Luis Potosí, S.L.P. 78090  
Mexico  
Phone 52 444 870 6700  
Fax 52 444 870 6811

### North America

1400 73rd Avenue N.E.  
Minneapolis, MN 55432  
USA  
Phone 1 763 574 5000  
USA Toll-free 1 877 769 7669  
Fax 1 763 574 5298

## Our energy working for you.™

[www.cumminsgdrive.com](http://www.cumminsgdrive.com)

©2007 | Cummins G-Drive Engines | Specifications subject to change without notice | Cummins are registered trademarks of Cummins Inc. (01/08) (GDSS125-RevA)

## Ratings Definitions

### Emergency Standby Power (ESP):

Applicable for supplying power to varying electrical load for the duration of power interruption of a reliable utility source. Emergency Standby Power (ESP) is in accordance with ISO 8528. Fuel Stop power in accordance with ISO 3046, AS 2789, DIN 6271 and BS 5514.

### Limited-Time Running Power (LTP):

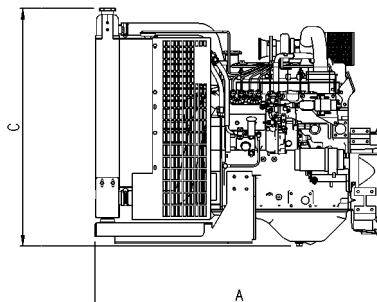
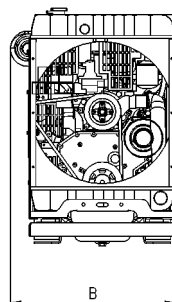
Applicable for supplying power to a constant electrical load for limited hours. Limited-Time Running Power (LTP) is in accordance with ISO 8528.

### Prime Power (PRP):

Applicable for supplying power to varying electrical load for unlimited hours. Prime Power (PRP) is in accordance with ISO 8528. Ten percent overload capability is available in accordance with ISO 3046, AS 2789, DIN 6271 and BS 5514.

### Base Load (Continuous) Power (COP):

Applicable for supplying power continuously to a constant electrical load for unlimited hours. Continuous Power (COP) in accordance with ISO 8528, ISO 3046, AS 2789, DIN6271 and BS 5514.



## Fuel Consumption 1800 (60 Hz)

%	kWm	BHP	L/ph	US gal/ph
<b>Standby Power</b>				
100	325	436	82	21.3
<b>Prime Power</b>				
100	295	396	74	19.2
75	221	297	56	14.6
50	148	198	40	10.4
25	74	99	23	6.0
<b>Continuous Power</b>				
100	254	341	64	16.6

